



# TERMO



**U<sub>d</sub> VALUE**  
(W/m<sup>2</sup> \* K)



**MAXIMUM  
LOAD**



**SEALS**



**YEARS  
GUARANTEE**



The mark of  
responsible forestry



COMPLIANCE WITH  
THE STANDARD

**GOLDWOOD**

CLASSIC

EI

MINI

FLEX

SOLID

LONG

The TERMO loft ladders are characterized by single sealing and hatch thickness 26mm. The TERMO model is ideally suited to install where the attic is insulated and does not require additional thermal insulation.

The excellent quality of materials used for the production of loft ladders and attention to every detail of finish cause that the stairs will satisfy even the most demanding customers. Their maximum load during use is up to 160 kg.

## Technical specification

Insulated hatch thickness	26 mm
Thickness of thermal insulation	20 mm
Hatch colour from both sides	White
Wooden ladder	3 sections
Height of wooden box	135 mm
Width of ladder	400 mm
Width of step	358 mm
Depth of step	80 mm
Landing space <b>D</b>	134/148 cm
Opening distance/angle <b>E</b>	160/166 cm
Maximum ceiling height	280 cm

### Box dimensions [cm] AxB

110x55 120x55 130x55 140x55  
 110x60 120x60 130x60 140x60  
 110x70 120x70 130x70 140x70

Outer box dimensions, mounting opening 2 cm larger

## Non-standard dimensions

Min - Max Length 100 - 110 cm

Min - Max Width 54 - 85 cm

\*Unusual dimensions available in full size of untypical stairs can not exceed 1 m<sup>2</sup>

## Accessories



Masking batten

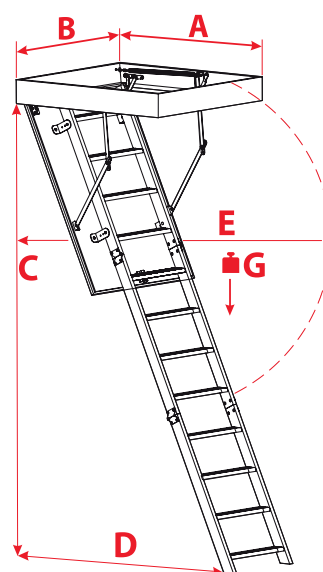


Mounting system



Hatch balustrade

## Technical draw



	A=110	A>110
C	280 cm	280 cm
D	134 cm	148 cm
E	160 cm	166 cm
G	160 kg	160 kg