



COMPACT TERMO



U_d VALUE
(W/m² * K)



**MAXIMUM
LOAD**



SEALS



**PROTECTIVE
FEET**



**YEARS
GUARANTEE**



The mark of
responsible forestry



COMPLIANCE WITH
THE STANDARD

GOLDWOOD

CLASSIC

EI

MINI

FLEX

SOLID

LONG

COMPACT TERMO

26 mm

The COMPACT TERMO loft ladders are characterized by single sealing and hatch thickness 26mm. The COMPACT TERMO model is ideally suited to install where the attic is insulated and does not require additional thermal insulation. The COMPACT TERMO model thanks to its small dimensions, is perfect for installation in narrow and small corridors. The small size of the stairs was achieved thanks to the use of a unique 4-section wooden ladder.

The loft ladders have anti skidding feet, they adheres perfectly to the ground, prevent scratching of the floor and provide an aesthetic finish for the ladder after cutting. The excellent quality of materials used for the production of loft ladders and attention to every detail of finish cause that the stairs will satisfy even the most demanding customers. Their maximum load during use is up to 160 kg.

Technical specification

Insulated hatch thickness	26 mm
Thickness of thermal insulation	20 mm
Hatch colour from both sides	White
Wooden ladder	4 sections
Height of wooden box	135 mm
Width of ladder	400 mm
Width of step	358 mm
Depth of step	80 mm
Landing space	146 cm
Opening distance/angle	135 cm
Maximum ceiling height	280 cm

Box dimensions [cm] AxB

110x55 120x55 130x55 140x55
110x60 120x60 130x60 140x60
110x70 120x70 130x70 140x70

Outer box dimensions, mounting opening 2 cm larger

Non-standard dimensions

Min - Max Length 100 - 110 cm

Min - Max Width 54 - 85 cm

*Unusual dimensions available in full size of untypical stairs can not exceed 1 m²

Accessories



Masking batten

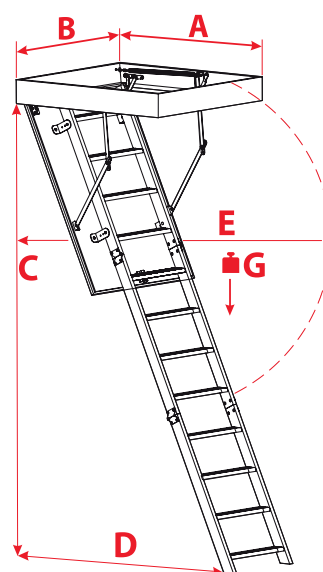


Mounting system



Hatch balustrade

Technical draw



C	280 cm
D	146 cm
E	135 cm
G	160 kg