



MINI POLAR

0,36

U_d VALUE
(W/m² * K)



MAXIMUM LOAD



PROTECTIVE FEET



SEALS



HANDRAIL



ADDITIONAL STEP



YEARS GUARANTEE

4 CLASS AIR TIGHTNESS



The mark of responsible forestry



GOLDWOOD

CLASSIC

EI

MINI

FLEX

SOLID

LONG

MINI POLAR

86 mm

The MINI POLAR loft ladder has got double sealing and hatch thickness 86mm, which makes them perfect for all conditions, while contributing to a significant reduction in costs associated with heating the house or apartment. The MINI POLAR is characterized by the best heat transfer coefficient on the market $U=0,36$ and the highest tightness class 4, due to their excellent parameters POLAR stairs are ideal for installation in places where there are large temperature differences. The MINI model thanks to its small dimensions, is perfect for installation in narrow and small corridors. The little size of the stairs were achieved thanks to using the unique 4 section metal-wood ladder. By choosing MINI POLAR stairs you do investment that allows you to reduce losses of heated air, improve the level of thermal insulation and significantly reduce heating costs. This ladder is equipped with non-slip feet, which perfectly adhere to the ground and prevent scratches on the floor surface. Our non-slip feet included in MINI POLAR loft ladder provide an aesthetic finish for the ladder after cutting. To increase security and for comfortable use our MINI POLAR loft ladder is also equipped with stable and durable handrail. In the interest of user convenience, the handrail has been designed in such a way that it can be mounted on the left or right side depending on customer preferences. The excellent quality of materials used for the production of stairs and attention to every details of finish cause that the stairs will satisfy even the most demanding customers. The maximum load during use is up to 160 kg. By choosing the best insulated attic stairs on the market you reduce the costs associated with heating, and as well you really contribute to the fight for a better climate on Earth.

Technical specification

Insulated hatch thickness	86 mm
Thickness of thermal insulation	80 mm
Hatch colour from both sides	White
Metal - Wooden ladder	4 sections
Height of wooden box	170 mm
Width of ladder	365 mm
Width of step	324 mm
Depth of step	80 mm
Landing space	142/149 cm
Opening distance/angle	132/133 cm
Maximum ceiling height	265 cm

Box dimensions [cm] AxB
 90x50* 100x50* 110x50*
 90x55 100x55 110x55
 90x60 100x60 110x60
 90x70 100x70 110x70

Outer box dimensions, mounting opening 2 cm larger

*Mounting a handrail is unavailable

Non-standard dimensions

Min - Max Length 90 - 110 cm
 Min - Max Width 50 - 80 cm

*Unusual dimensions available in full size of untypical stairs can not exceed 1 m²

Accessories



Masking batten

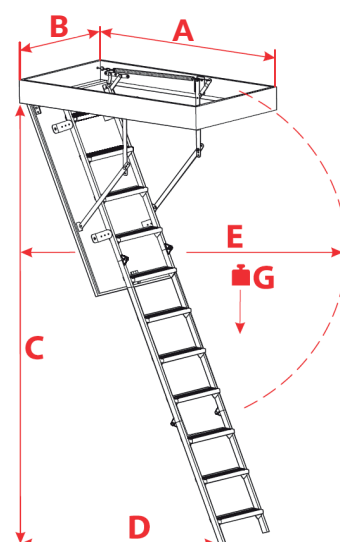


Mounting system



Hatch balustrade

Technical draw



A < 100	A > 100
C 265 cm	C 265 cm
D 142 cm	D 149 cm
E 132 cm	E 133 cm
G 160 kg	G 160 kg