



SOLID TERMO



U_d VALUE
(W/m² * K)



**MAXIMUM
LOAD**



SEAL



**PROTECTIVE
FEET**



**YEARS
GUARANTEE**



The mark of
responsible forestry



COMPLIANCE WITH
THE STANDARD

GOLDWOOD

CLASSIC

EI

MINI

FLEX

SOLID

LONG

The SOLID TERMO loft ladder is characterised by single sealing and hatch thickness 26mm. SOLID TERMO model is ideally suited to conditions where the attic is poorly insulated and requires additional thermal insulation. This ladder is equipped with durable SOLID metal ladder, thanks to it the maximum load when using stairs is up to 190 kg. Our non-slip feet included in SOLID TERMO loft ladder provide an aesthetic finish for the ladder after cutting. The excellent quality of materials used for the production of stairs and attention to every details of finish cause that the stairs will satisfy even the most demanding customers.

Technical specification

Insulated hatch thickness	26 mm
Thickness of thermal insulation	20 mm
Hatch colour from both sides	White
Metal ladder	3 sections
Height of wooden box	135 mm
Width of ladder	400 mm
Width of step	361 mm
Depth of step	113 mm
Landing space	134/148 cm
Opening distance/angle	160/166 cm
Maximum ceiling height	280 cm

Box dimensions [cm] AxB

110x55*	120x55*	130x55*	140x55*
110x60	120x60	130x60	140x60
110x70	120x70	130x70	140x70

Outer box dimensions, mounting opening 2 cm larger

*Mounting a handrail is unavailable

Non-standard dimensions

Min - Max Length	110 - 140 cm
Min - Max Width	54 - 85 cm

*Unusual dimensions available in full size of untypical stairs can not exceed 1 m²

Accessories



Masking batten

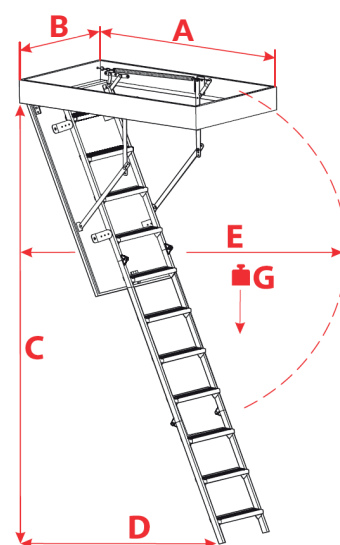


Mounting system



Hatch balustrade

Technical draw



A < 100	A > 100
C 280 cm	C 280 cm
D 134 cm	D 148 cm
E 160 cm	E 166 cm
G 190 kg	G 190 kg