



# SOLID EXTRA



**U<sub>d</sub> VALUE**  
(W/m<sup>2</sup> \* K)



MAXIMUM  
LOAD



PROTECTIVE  
FEET



SEALS



HANDRAIL



YEARS  
GUARANTEE



The mark of  
responsible forestry



COMPLIANCE WITH  
THE STANDARD

**GOLDWOOD**

CLASSIC

EI

MINI

FLEX

SOLID

LONG

# SOLID EXTRA

# 46 mm

The SOLID EXTRA loft ladder is characterised by single sealing and hatch thickness 46mm. SOLID EXTRA model is ideally suited to conditions where the attic is poorly insulated and requires additional thermal insulation. This ladder is equipped with durable SOLID metal ladder, thanks to it the maximum load when using stairs is up to 210 kg. Our non-slip feet included in SOLID EXTRA loft ladder provide an aesthetic finish for the ladder after cutting. The excellent quality of materials used for the production of stairs and attention to every details of finish cause that the stairs will satisfy even the most demanding customers. To increase security and for comfortable use our SOLID EXTRA loft ladder is also equipped with stable and durable handrail. In the interest of user convenience, the handrail has been designed in such a way that it can be mounted on the left or right side depending on customer preferences. The excellent quality of materials used for the production of stairs and attention to every details of finish cause that the stairs will satisfy even the most demanding customers .

## Technical specification

Insulated hatch thickness	46 mm
Thickness of thermal insulation	40 mm
Hatch colour from both sides	White
Metal ladder	3 sections
Height of wooden box	170 mm
Width of ladder	400 mm
Width of step	361 mm
Depth of step	113 mm
Landing space	128/142 cm
Opening distance/angle	161/165 cm
Maximum ceiling height	280 cm

### Box dimensions [cm] AxB

110x55*	120x55*	130x55*	140x55*
110x60	120x60	130x60	140x60
110x70	120x70	130x70	140x70

Outer box dimensions, mounting opening 2 cm larger

\*Mounting a handrail is unavailable

## Non-standard dimensions

Min - Max Length	110 - 140 cm
Min - Max Width	54 - 85 cm

\*Unusual dimensions available in full size of untypical stairs can not exceed 1 m<sup>2</sup>

## Accessories



Masking batten

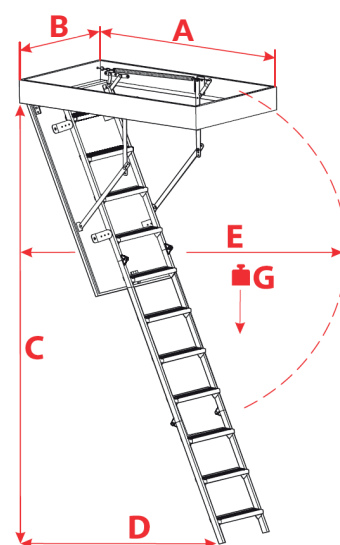


Mounting system



Hatch balustrade

## Technical draw



A < 100	A > 100
C 280 cm	C 280 cm
D 128 cm	D 142 cm
E 161 cm	E 165 cm
G 210 kg	G 210 kg