



ALUPROFI EXTRA

0,85

U_d VALUE
(W/m² * K)



**MAXIMUM
LOAD**



**PROTECTIVE
FEET**



SEAL



HANDRAIL



**YEARS
GUARANTEE**



The mark of
responsible forestry



COMPLIANCE WITH
THE STANDARD

GOLDWOOD

CLASSIC

EI

MINI

FLEX

SOLID

LONG

ALUPROFI EXTRA

46 mm

The ALUPROFI EXTRA loft ladders are characterized by single sealing and hatch thickness 46mm. The ALUPROFI EXTRA model is ideally suited to install where the attic is not insulated and required additional thermal insulation. The distinctive feature of the ALUPROFI EXTRA loft ladder is the light and extremely durable ladder made of high quality aluminum. The loft ladders have anti skidding feet, they adheres perfectly to the ground, prevent scratching of the floor and provide an aesthetic finish for the ladder after cutting. For increased safety and convenience of use, ALUPROFI EXTRA loft ladders are equipped in a stable and durable handrail. In the interest of user convenience, the handrail can be installed on the left or right side – depending on the customer preferences. The excellent quality of materials used for the production of loft ladders and attention to every detail of finish cause that the stairs will satisfy even the most demanding customers. Their maximum load during use is up to 160 kg.

Technical specification

Insulated hatch thickness	46 mm
Thickness of thermal insulation	40 mm
Hatch colour from both sides	White
Wooden ladder	3 sections
Height of wooden box	170 mm
Width of ladder	400 mm
Width of step	350 mm
Depth of step	80 mm
Landing space	128/142 cm
Opening distance/angle	161/165 cm
Maximum ceiling height	280 cm

Box dimensions [cm] AxB

110x55 120x55 130x55 140x55
110x60 120x60 130x60 140x60
110x70 120x70 130x70 140x70

Outer box dimensions, mounting opening 2 cm larger

Non-standard dimensions

Min - Max Length 110 - 140 cm

Min - Max Width 54 - 85 cm

*Unusual dimensions available in full size of untypical stairs can not exceed 1 m²

Accessories



Masking batten

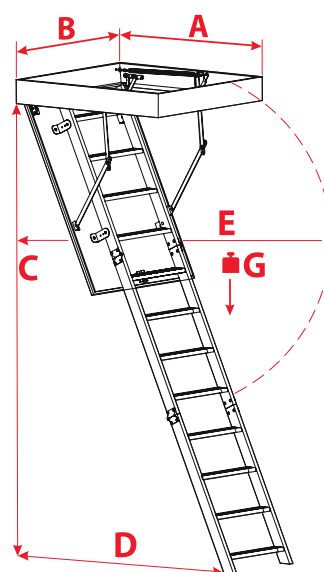


Mounting system



Hatch balustrade

Technical draw



A < 110

C 280 cm

D 128 cm

E 161 cm

G 160 kg

A > 110

C 280 cm

D 142 cm

E 165 cm

G 160 kg