



FLEX TERMO



1,22

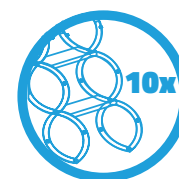
U_d VALUE
(W/m² * K)



PROTECTIVE FEET



SEAL



STEPS FLEX



YEARS GUARANTEE



The mark of responsible forestry



GOLDWOOD

CLASSIC

EI

MINI

FLEX

SOLID

LONG

The FLEX TERMO loft ladder has got single sealing and hatch thickness 26mm. FLEX TERMO model is ideally suited to conditions where the attic is insulated and does not require additional thermal insulation. The FLEX stair model, thanks to the solid metal extendable „scissor” ladder, is perfect for installation in rooms up to 290 cm high. The excellent quality of materials used for the production of stairs and attention to every details of finish cause that the stairs will satisfy even the most demanding customers. The maximum load during use is up to 160 kg.

Technical specification

Insulated hatch thickness	26mm
Thickness of thermal insulation	20 mm
Hatch colour from both sides	White
Flex ladder	10 sections
Height of wooden box	135 mm
Width of ladder	390 mm
Width of step	345 mm
Depth of step	80 mm
Landing space	195/200/210 cm
Opening distance/angle	220/225/230/245 cm
Maximum ceiling height	290 cm

Box dimensions [cm] AxB

70x60 80x60 90x60 100x60 110x60 120x60 130x60
70x70 80x70 90x70 100x70 110x70 120x70 130x70

Outer box dimensions, mounting opening 2 cm larger

Accessories



Masking batten

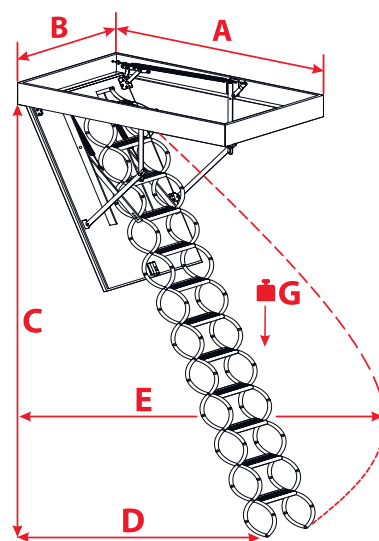


Mounting system



Hatch balustrade

Technical draw



C	290 cm
G	160 kg

Non-standard dimensions

Min - Max Length 70 - 130 cm

Min - Max Width 60 - 75 cm

*Unusual dimensions available in full size of untypical stairs can not exceed 1 m²

A	70	80-100	110	120-130
D	200 cm	210 cm	225 cm	230 cm
E	220 cm	245 cm	258 cm	