



EI45 MINI



U_d VALUE
(W/m² * K)



**MAXIMUM
LOAD**



SEALS



**FIRE RESISTANT
SEAL**



**PROTECTIVE
FEET**



HANDRAIL



**YEARS
GUARANTEE**



The mark of
responsible forestry



COMPLIANCE WITH
THE STANDARD

GOLDWOOD

CLASSIC

EI

MINI

FLEX

SOLID

LONG

EI45 MINI

66 mm

The MINI EI45 loft ladders are characterized by double sealing, including a single fire resistant sealing and hatch thickness 66mm. The MINI EI45 loft ladders have the EI45 fire resistance class. The MINI EI45 model is ideally suited for installation in rooms particularly exposed to fire outbreak. Their fire safety properties allows an effective isolation of the room, in which the fire occurred from the attic. This prevents further spread of fire. The MINI EI45 model thanks to its small dimensions, is perfect for installation in narrow and small corridors. The small size of the stairs was achieved thanks to the use of a unique 4-section metal-wooden ladder. The loft ladders have anti skidding feet, they adheres perfectly to the ground, prevent scratching of the floor and provide an aesthetic finish for the ladder after cutting. For increased safety and convenience of use, MINI EI45 loft ladders are equipped in a stable and durable handrail. In the interest of user convenience, the handrail can be installed on the left or right side – depending on the customer preferences. The excellent quality of materials used for the production of loft ladders and attention to every detail of finish cause that the stairs will satisfy even the most demanding customers. Their maximum load during use is up to 160kg.

Technical specification

Insulated hatch thickness	66 mm
Thickness of thermal insulation	60 mm
Hatch colour from both sides	White
Metal - Wooden ladder	4 sections
Height of wooden box	170 mm
Width of ladder	365 mm
Width of step	324 mm
Depth of step	80 mm
Landing space	103/130 cm
Opening distance/angle	168 cm
Maximum ceiling height	265 cm

Box dimensions [cm] AxB

90x60 100x60

90x70 100x70

Outer box dimensions, mounting opening 2 cm larger

Accessories



Masking batten

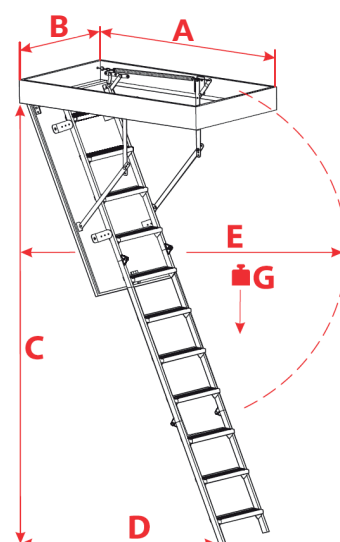


Mounting system



Hatch balustrade

Technical draw



C	265 cm
D	103/130 cm
E	168 cm
G	160 kg