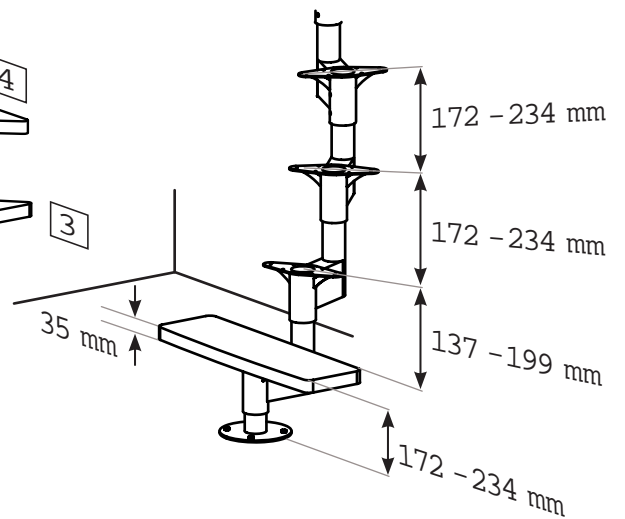
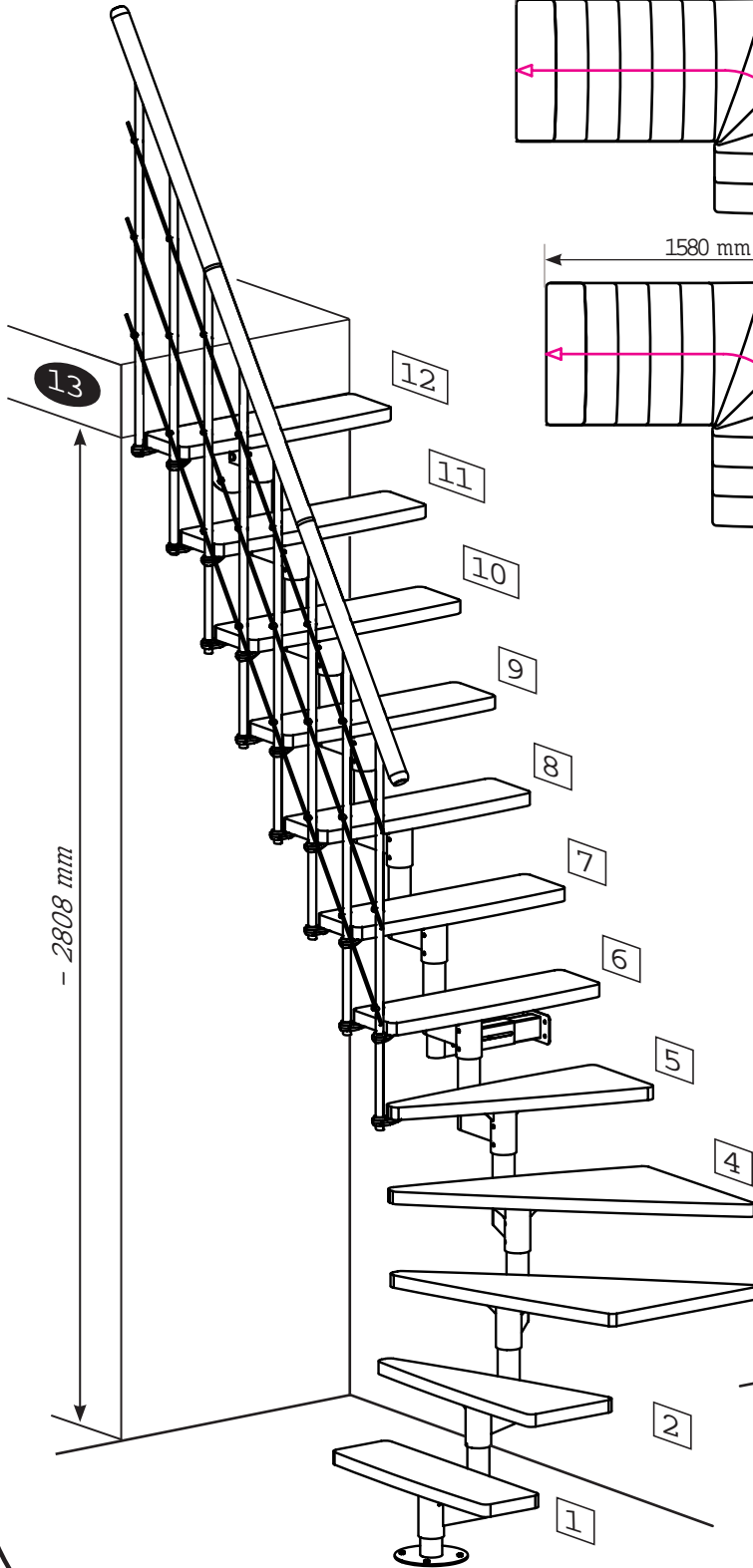
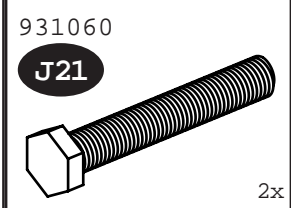
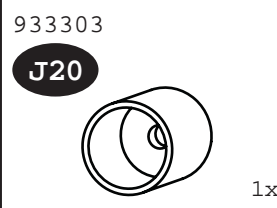
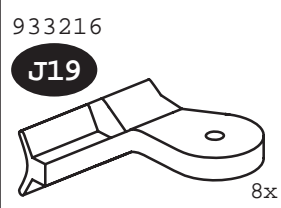
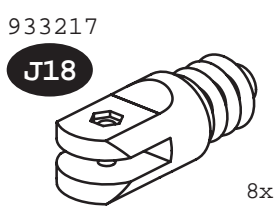
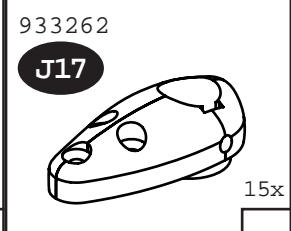
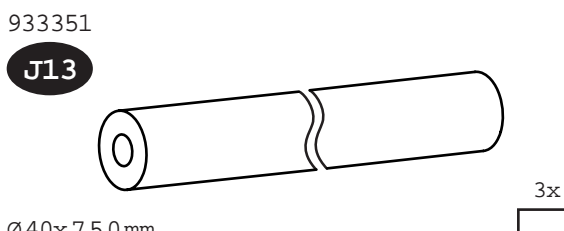
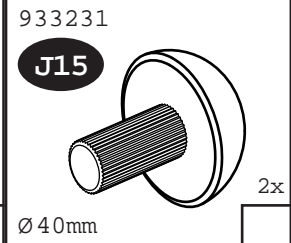
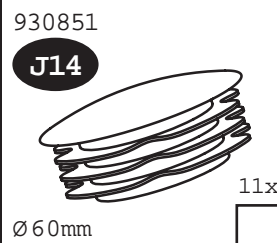
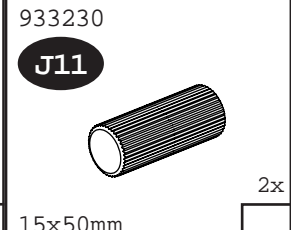
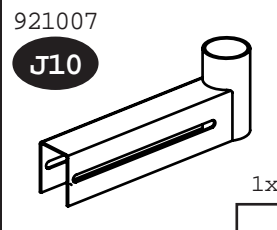
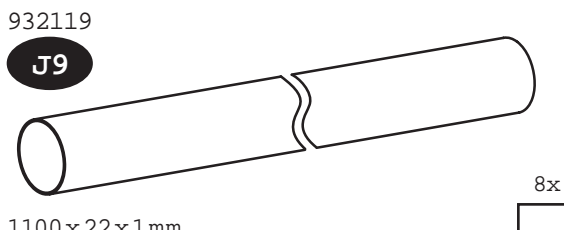
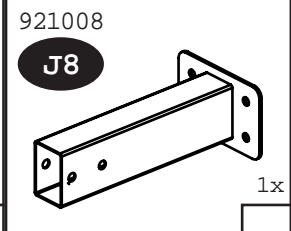
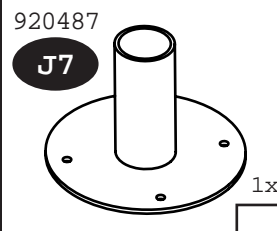
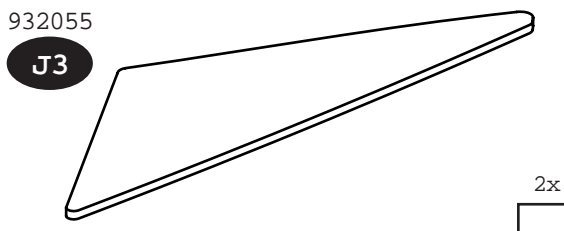
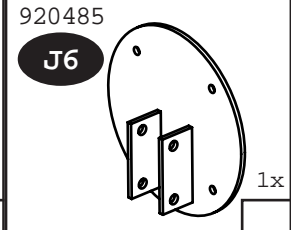
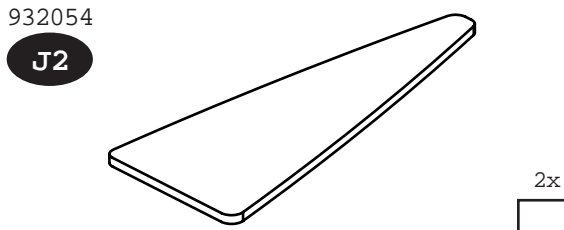
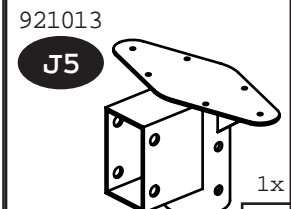
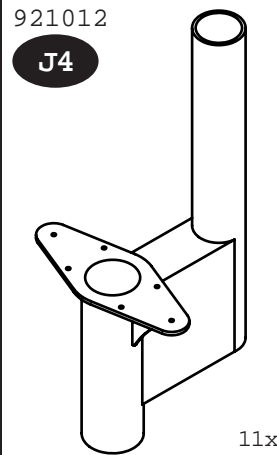
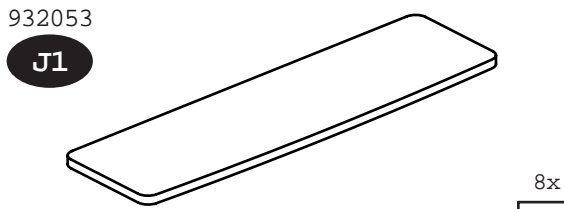


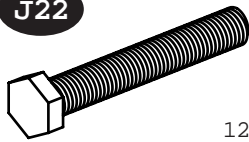
<b>8</b>	1376 - 1872 mm
<b>9</b>	1548 - 2106 mm
<b>10</b>	1720 - 2340 mm
<b>11</b>	1892 - 2574 mm
<b>12</b>	2064 - 2808 mm
<b>13</b>	2236 - 3042 mm





931735

**J22**

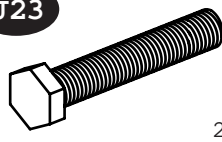


12x

M8 x 70mm

930656

**J23**

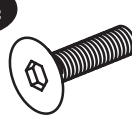


2x

M8 x 55mm

930676

**J24**



8x

M5 x 20mm

931062

**J25**



24x

M10 x 8mm

930632

**J26**



15x

M6 x 6mm

931753

**J27**



45x

ø5 x 40mm

932153

**J28**



72x

ø6 x 30mm

933229

**J29**

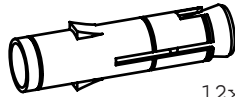


16x

ø3,5 x 25mm

931733

**J30**



12x

M8 x 55mm

930633

**J31**



15x

M6 DIN562

930727

**J32**



8x

M5 DIN934

930233

**J33**

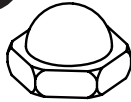


2x

M8 DIN934

931274

**J35**



2x

M10 DIN1587

931078

**J37**



14x

ø16mm M8  
DIN125A

931061

**J38**

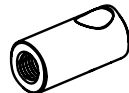


4x

ø19mm M10  
DIN125A

933228

**J39**

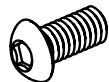


24x

ø12,5mm x 28mm

933236

**J40**



24x

M6 x 14mm

933263

**J41**



6x

ø6mm x 12mm

930219

**J42**

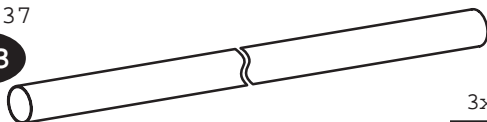


3x

ø4mm x 40mm

933337

**J43**

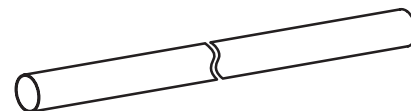


3x

ø6mm x 1x1200mm

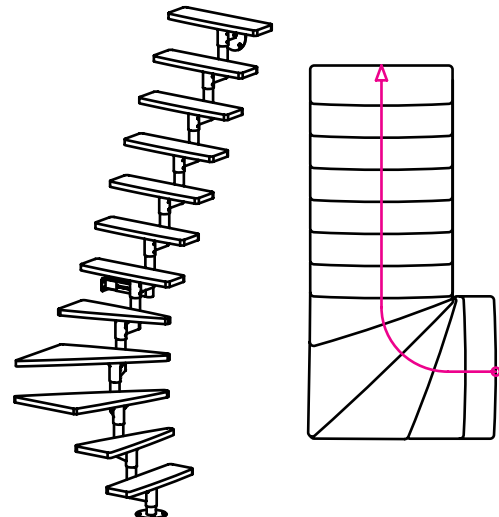
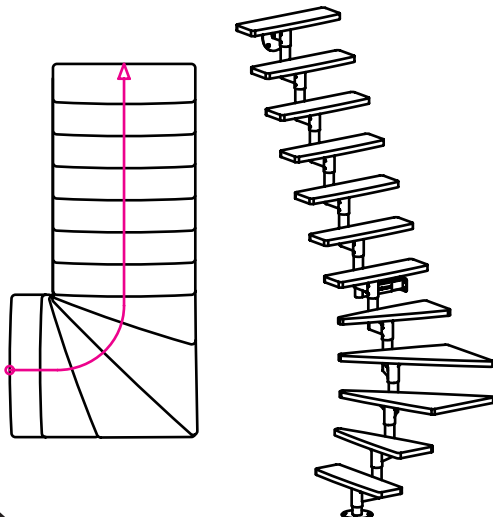
933338

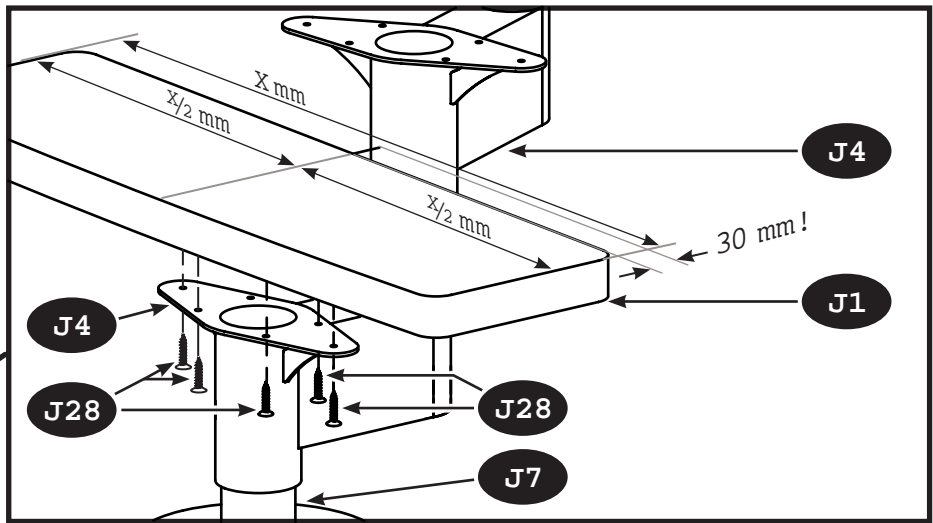
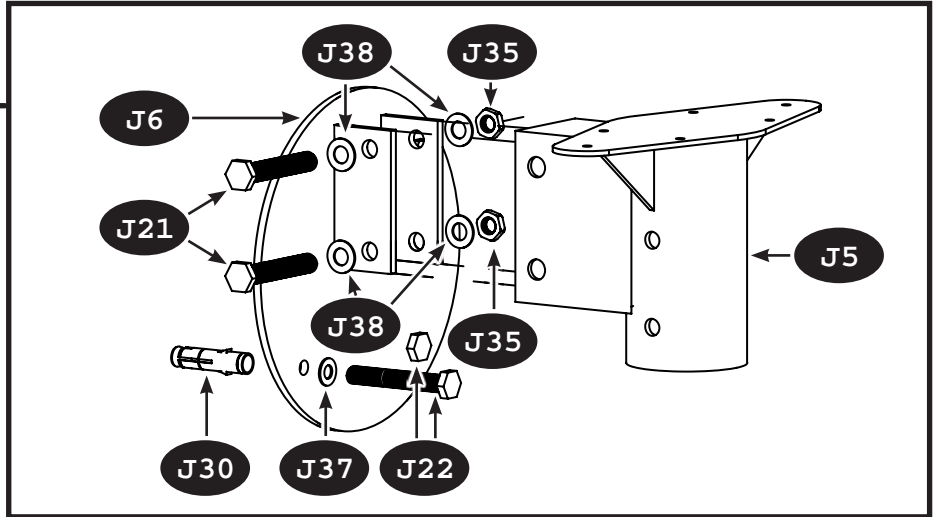
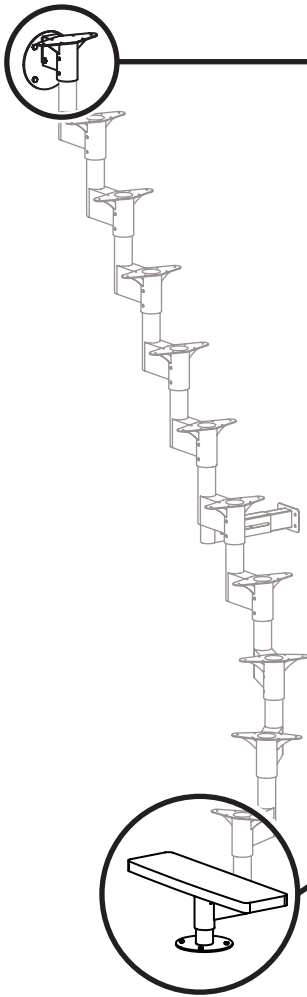
**J44**



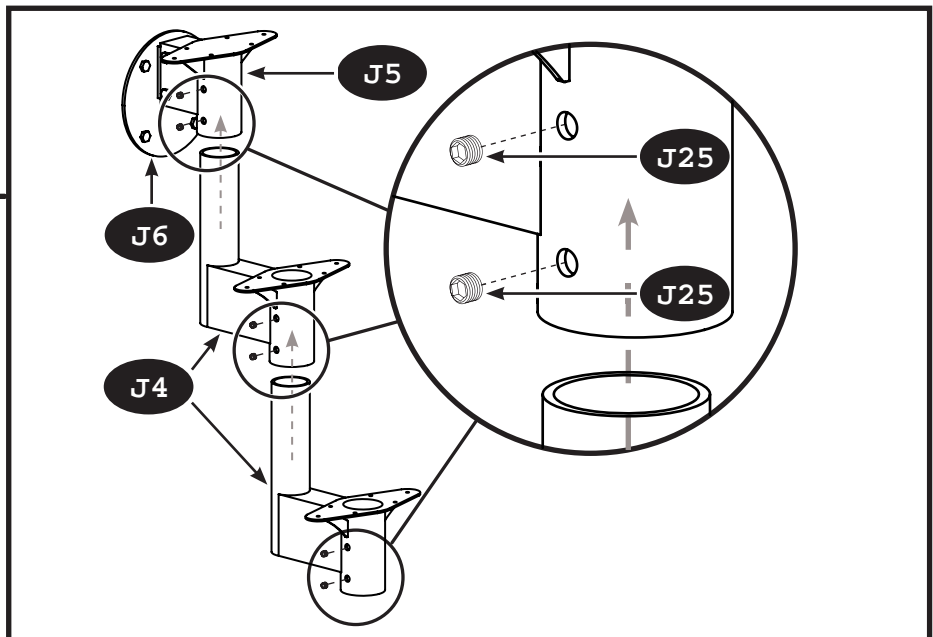
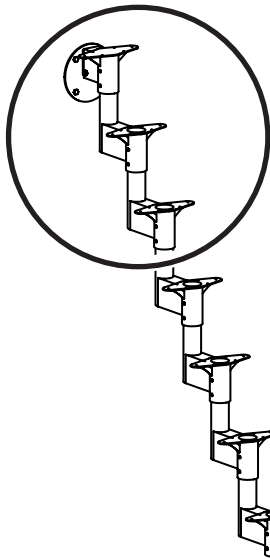
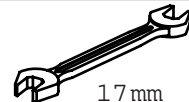
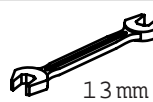
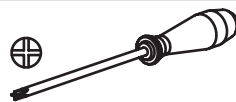
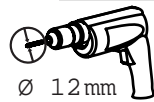
3x

ø6mm x 1x900mm

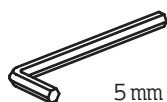


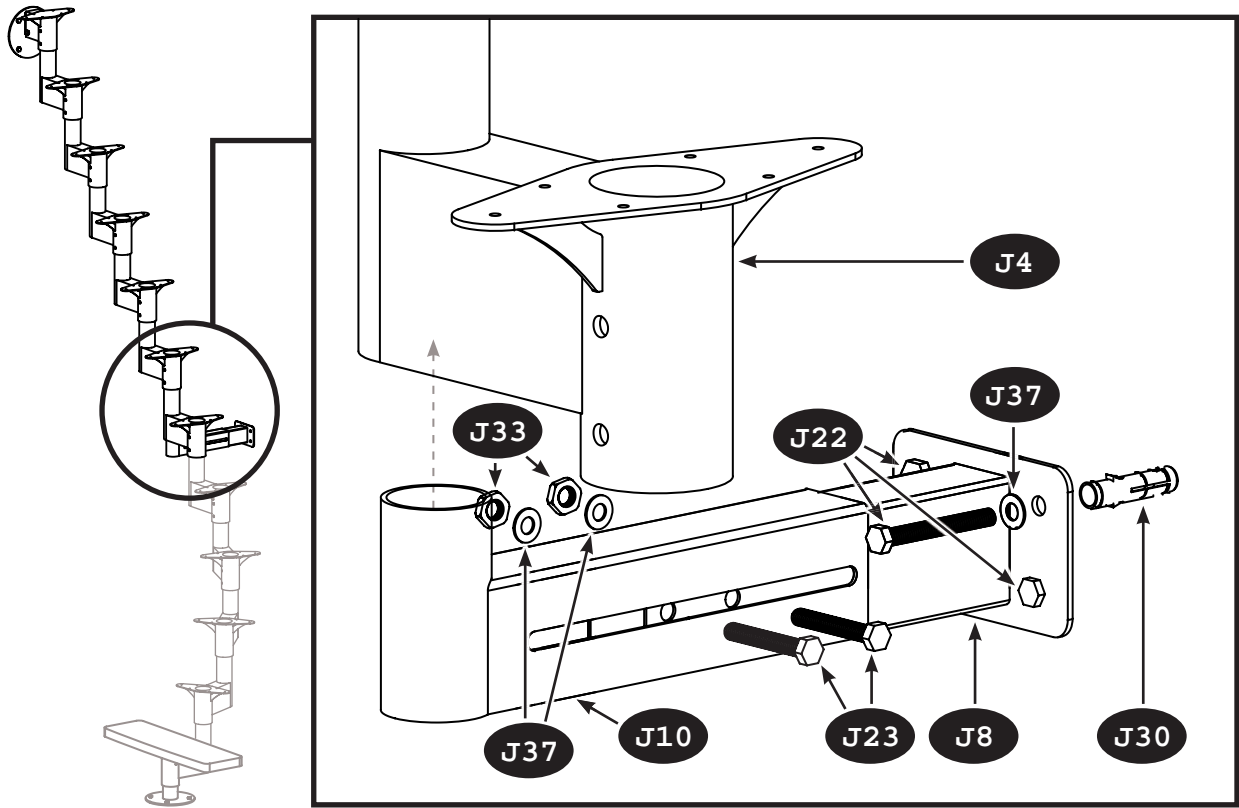


1-2

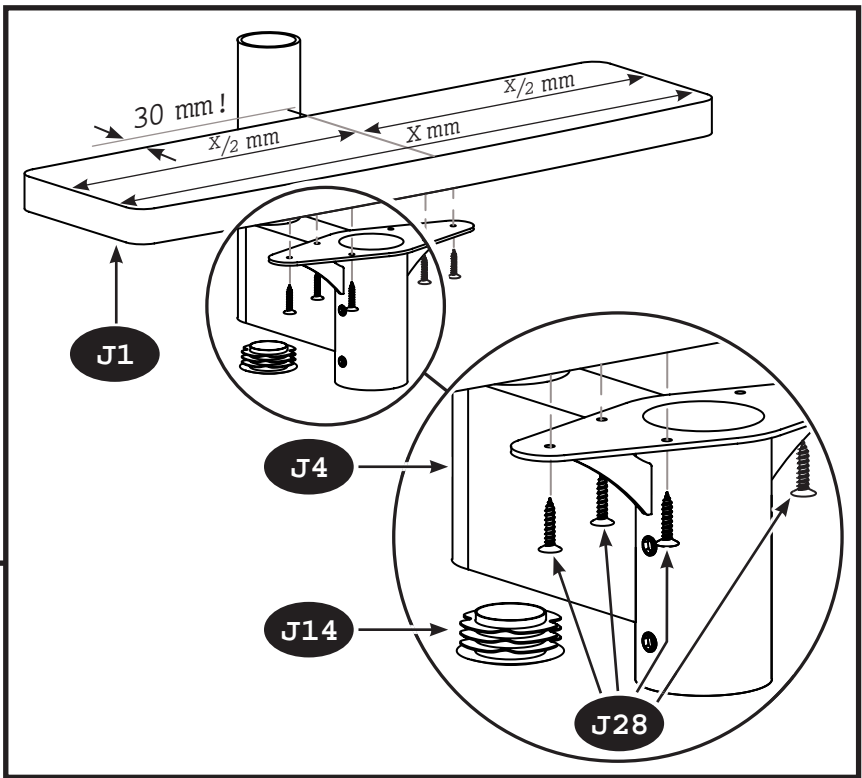
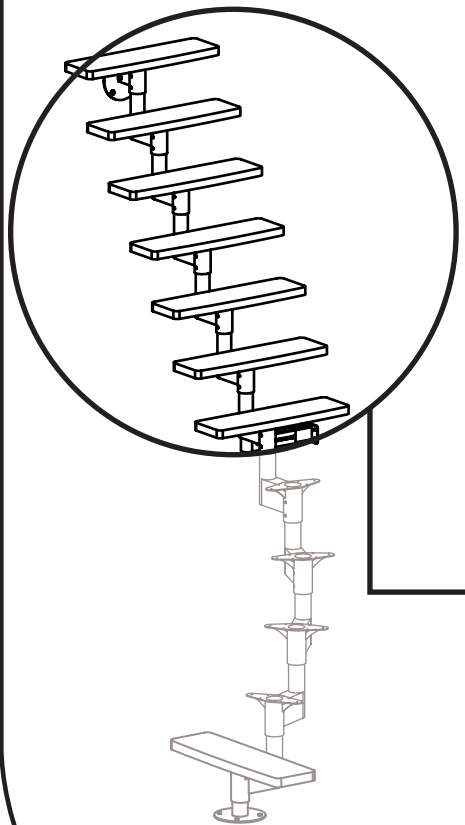
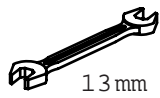
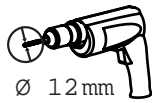


3

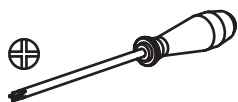


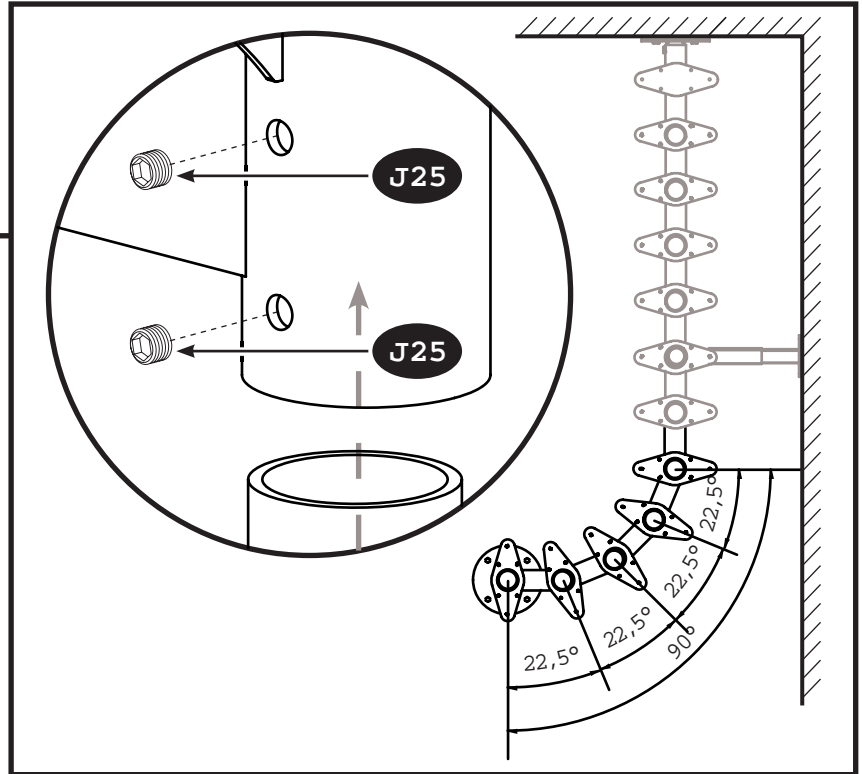
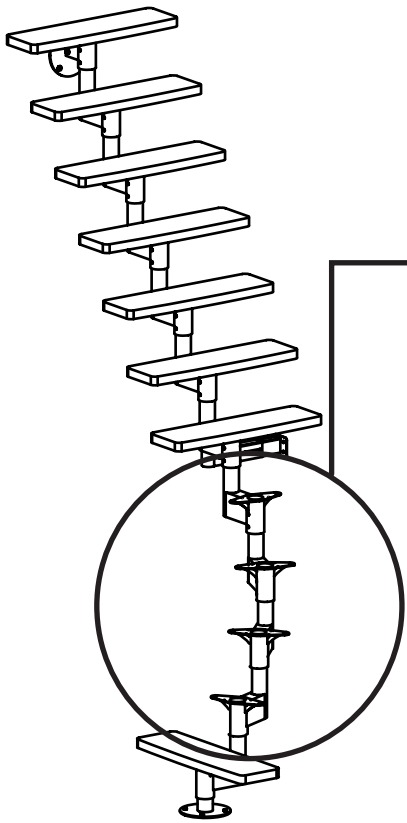


4

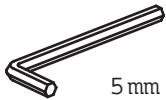


5

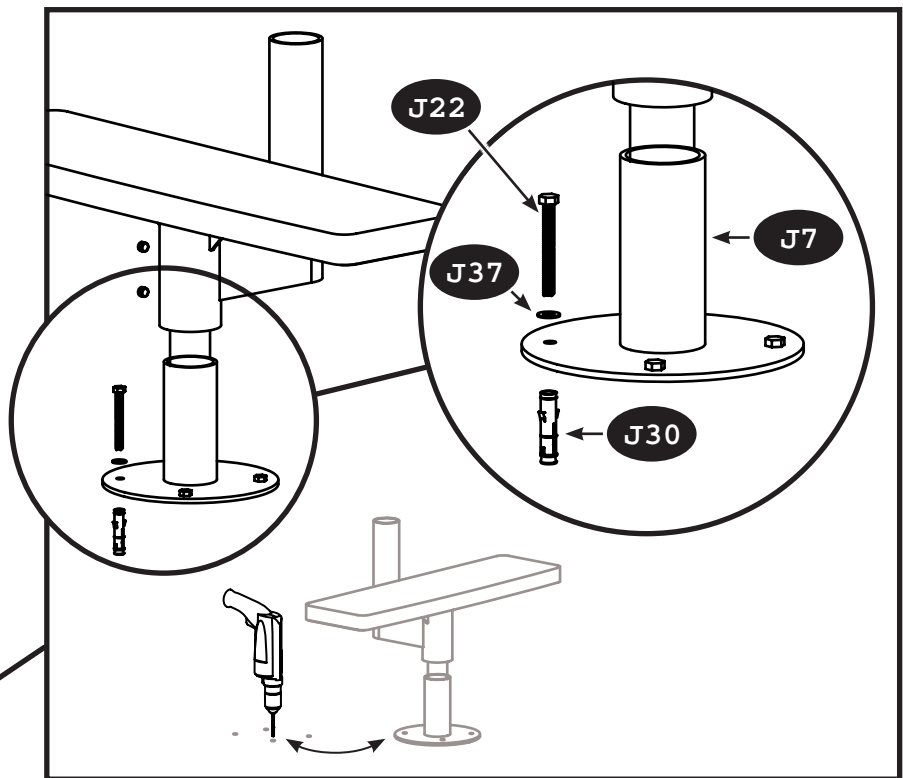
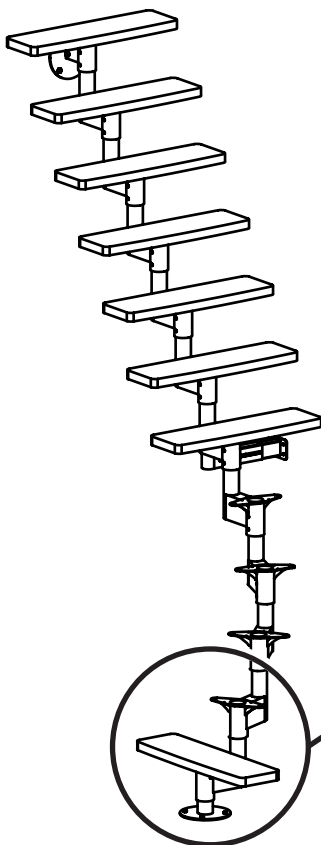




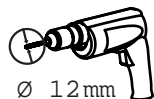
6



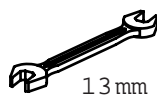
5 mm



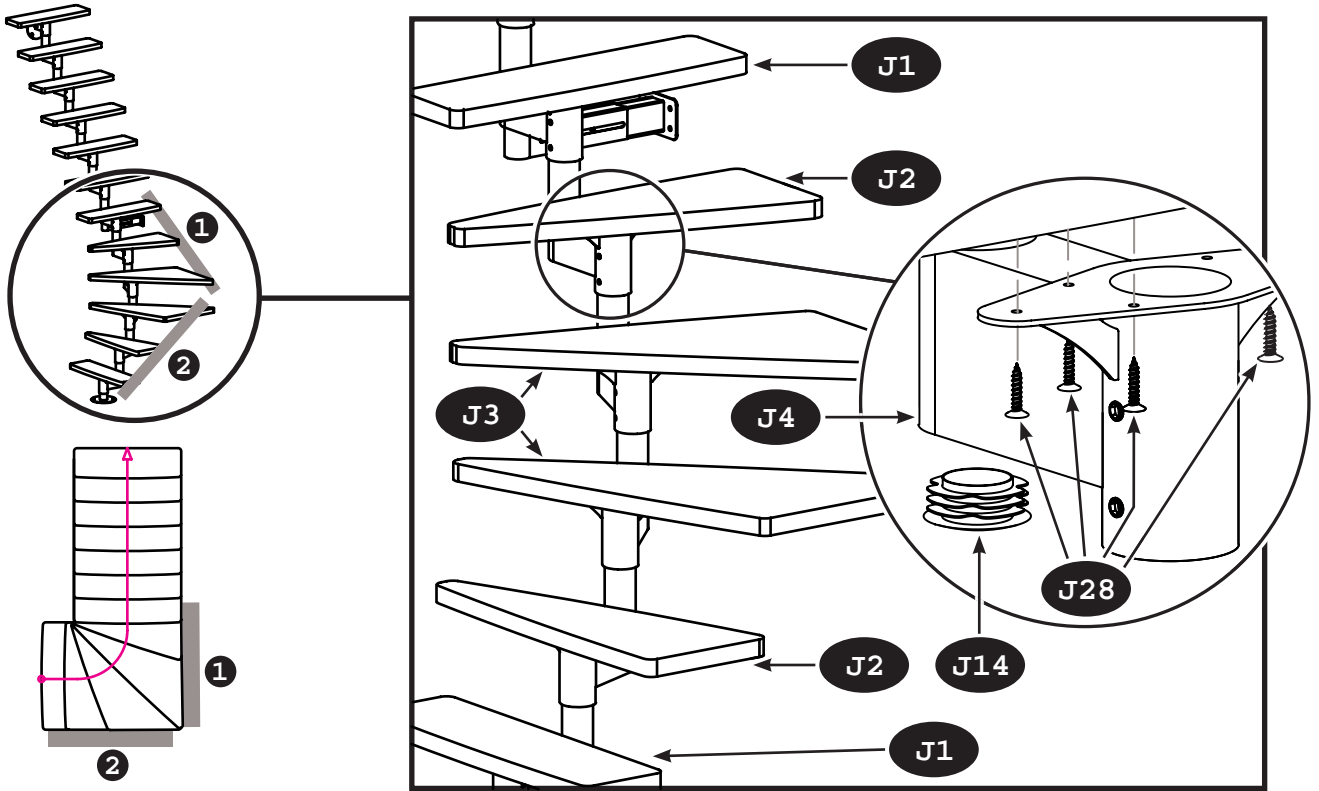
7



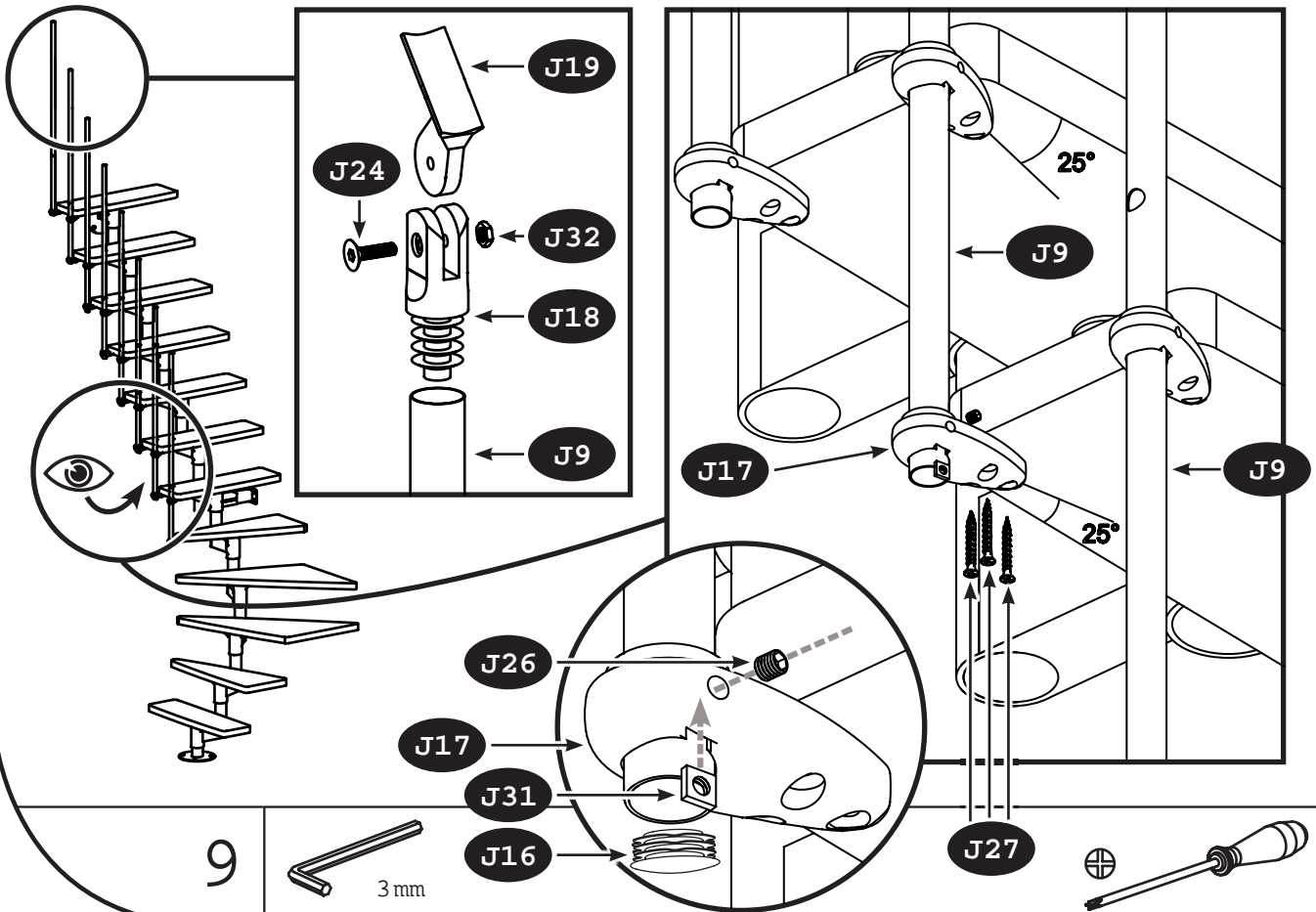
Ø 12 mm



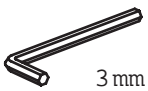
13 mm

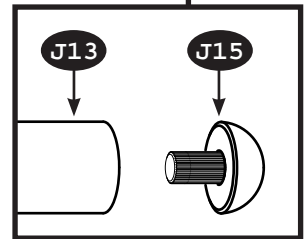
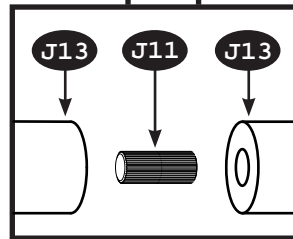
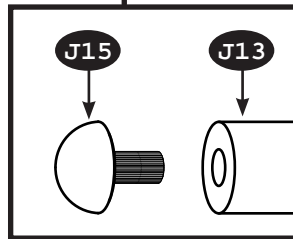
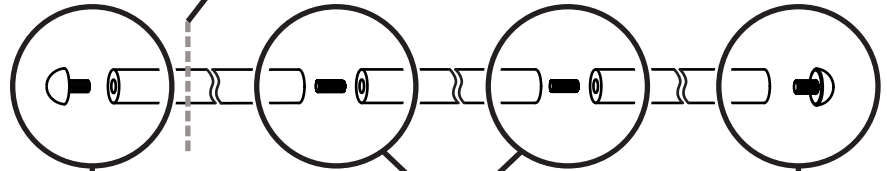
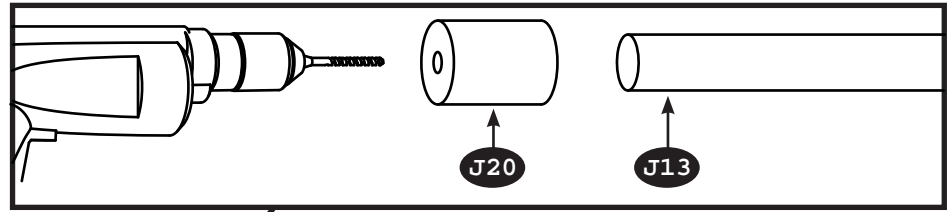
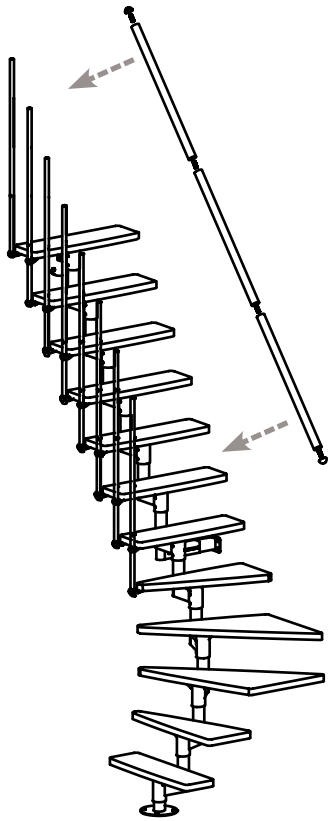


8

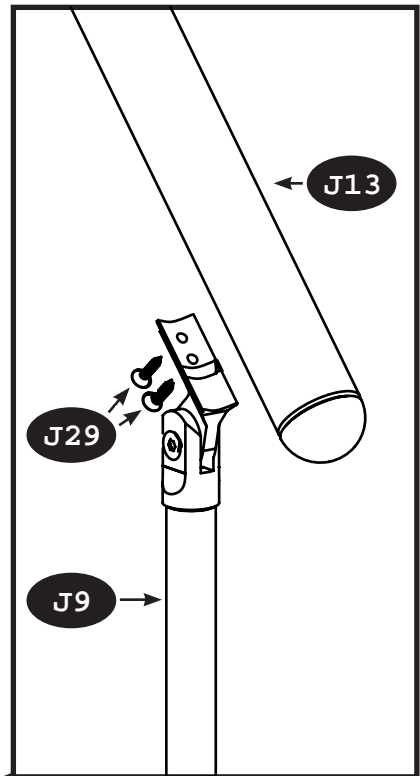
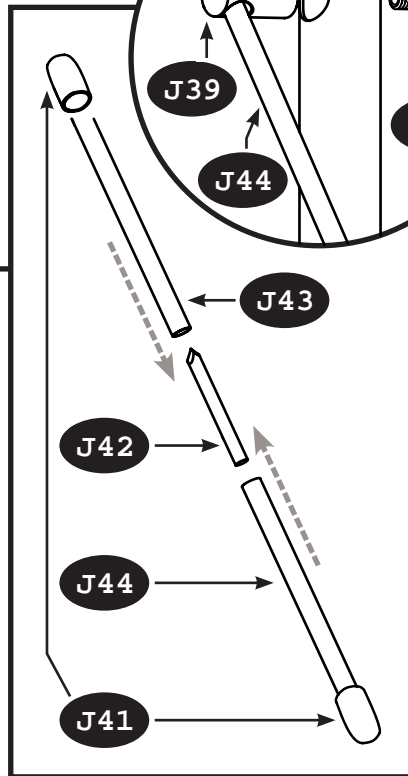
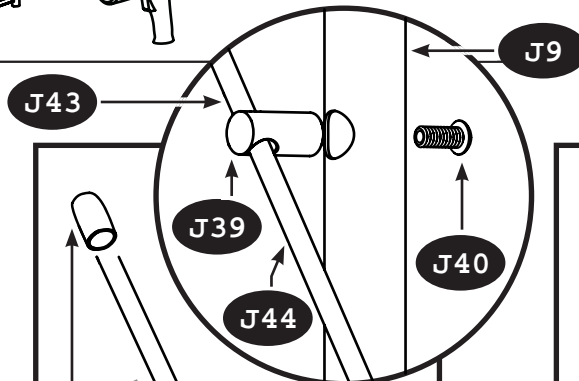
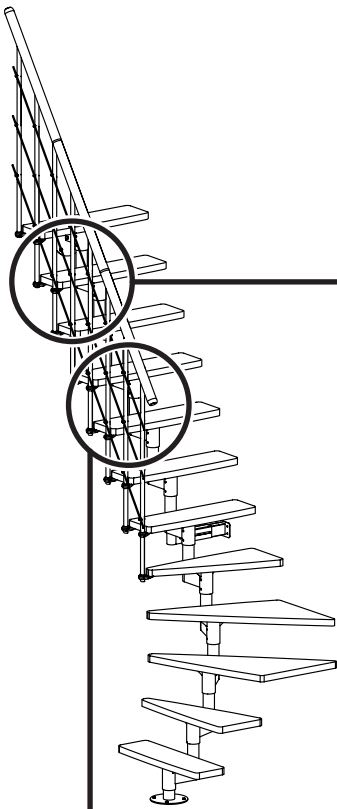


9

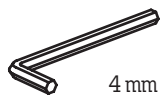




10



11



4 mm

